

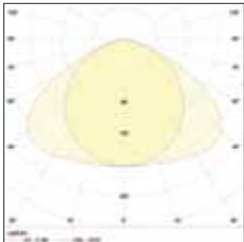
FLUORESCENT LIGHTING

RMS-560.. Series - Fluorescent lighting fixtures



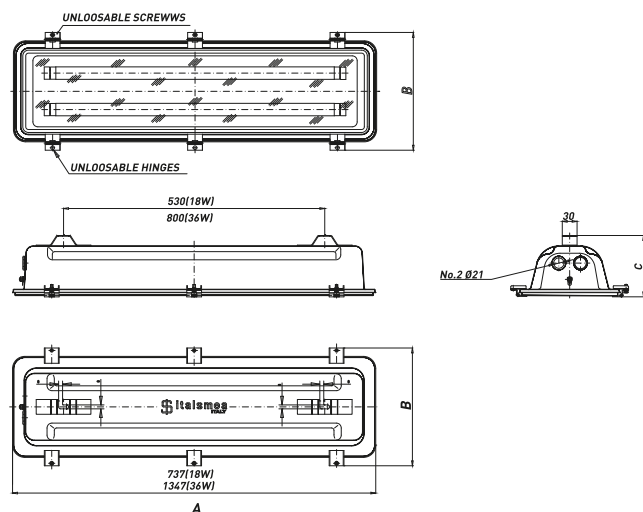
RMS.. series lighting fixtures are ideally suited for ON and OFF-SHORE applications and all kinds of industries where there is an high level of corrosion. Both body and glass frame are made of stainless steel AISI304 and manufactured from a single sheet of steel with no invasive mounting holes, to minimize the risk of water ingress through the housing. Out of holes for power supply cable, whatever protected by a suitable cable gland (available upon request), there are no passing through holes between inside and outside of luminaire. Therefore during the time there is no risk of IP rating decrease as it would be possible where, for fixing devices, there are through holes and relevant gaskets. Design has been studied to allow operator working with free hands and no need to support any part of lighting fixture. One person can take care of start-up or maintenance without any aid and assistance. Due to inorganic materials like stainless steel and glass, RMS.. series lighting fixtures are 95% recyclable; only components and insulation of single core wires need some more care.

TECHNICAL FEATURES

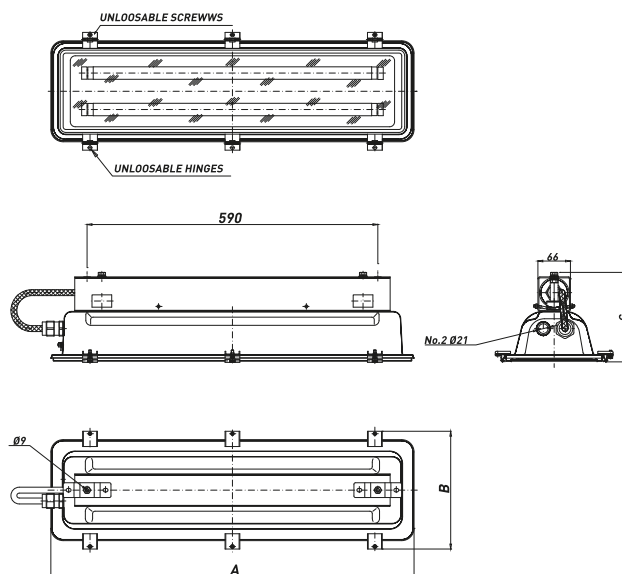
Material	AISI304 stainless steel, 0,8mm thickness and transparent part in tempered glass (AISI316L version available upon request)
IP rating	IP65 (IP66 on request)
Ambient temperature range	-20°C to +60°C
Approvals	INERIS 01ATEX0060 (standard) TR CU (marking upon request, ordering code to be required)
Marking	II 2 GD Ex de IIC T(**) Ex tD A21 IP65 T(**) ** T6/T85°C, T5/T100°C, T4/T135°C
Gaskets	Special cross-section tightness gasket, silicon rubber made (closed cell), located in housing channel between body and window frame.
Entries	Body complete of two 21mm Ø through holes (on one side) for cable entry, one complete of metallic plug with M20 locknut and gasket and the other one with temporary plastic plug to prevent dust ingress.
Hardware and screws	AISI304 Stainless steel external hardware and screws
Lamps	RMS series lighting fixtures are suitable for two pins fluorescent lamps G13 socket Philips TL-D or equivalent (lamps excluded)
Ballast	High frequency electronic ballast conforming with EN 60079 – 15 and IEC 60079 – 15
Rated operation voltage (UE)	220-240 V
Frequency	50-60 Hz
Power factor	> 0,95
Accessories available upon request	Pole mounting kit / Ceiling mounting kit / Suspension mounting kit / Wall mounting kit 3°- 4° through holes opposite side
Operating principles	Available RMS.. lighting fixtures for emergency service of one tube: - 90 minutes ; guarantees 60' duration with constant flux (emergency lumen factor 18%) and 30' with decreasing flux
Photometric light curves	

Dimensions RMS-560

RMS-560
(18W)
(36W)



RMS-560 EM
(18W)



(RMS-560) Lighting fixtures for normal service

TYPE	CODE	POWER [W]	TEMPERATURE CLASS	AMBIENT TEMPERATURE	DIMENSIONS [mm]			WEIGHT [kg]
					A	B	C	
RMS-560-03	A0201.311111	1X18	GAS T5 DUST T100°C	(-20°;+55°)**	737	239	123	5.60
RMS-560-04	A0201.311211	2X18	GAS T5 DUST T100°C	(-20°;+55°)**	737	239	123	5.70
RMS-560-01	A0201.311311	1X36	GAS T5 DUST T100°C	(-20°;+55°)**	1347	239	123	8.90
RMS-560-02	A0201.311411	2X36	GAS T5 DUST T100°C	(-20°;+55°)**	1347	239	123	9.10
RMS-560-03/MS*	A0201.312111	1X18	GAS T5 DUST T100°C	(-20°;+55°)**	737	239	123	5.65
RMS-560-04/MS*	A0201.312211	2X18	GAS T5 DUST T100°C	(-20°;+55°)**	737	239	123	5.75
RMS-560-01/MS*	A0201.312311	1X36	GAS T5 DUST T100°C	(-20°;+55°)**	1347	239	123	8.95
RMS-560-02/MS*	A0201.312411	2X36	GAS T5 DUST T100°C	(-20°;+55°)**	1347	239	123	9.15

* With micro-switch

** In case of maximum ambient temperature reach +60°C, temperature class changes into T4/T105°C (ordering code to be required).

In case of maximum ambient temperature reach +40°C, temperature class changes into T6/T85°C (ordering code to be required).

(RMS-560) Lighting fixtures for emergency service

TYPE	CODE	POWER [W]	TEMPERATURE CLASS	AMBIENT TEMPERATURE	EMERGENCY DURATION	DIMENSIONS [mm]			WEIGHT [kg]
						A	B	C	
RMS-560-03 LE-P-90	A0202.313112	1X18	GAS T5 DUST T100°C	(-20°;+55°)*	90'	737	239	183	9.50
RMS-560-04 LE-P-90	A0202.313212	2X18	GAS T5 DUST T100°C	(-20°;+55°)*	90'	737	239	183	9.60
RMS-560-01 LE-P-90	A0202.313312	1X36	GAS T5 DUST T100°C	(-20°;+55°)*	90'***	1347	239	123	14.10
RMS-560-02 LE-P-90	A0202.313412	2X36	GAS T5 DUST T100°C	(-20°;+55°)*	90'***	1347	239	123	14.30

* In case of maximum ambient temperature reach +60°C, temperature class changes into T4/T105°C (ordering code to be required).

In case of maximum ambient temperature reach +40°C, temperature class changes into T6/T85°C (ordering code to be required).

** 120' version available upon request (ordering code to be required).

FLUORESCENT LIGHTING

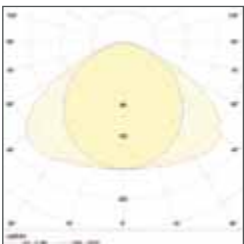
RMS-550.. Series - Fluorescent lighting fixtures



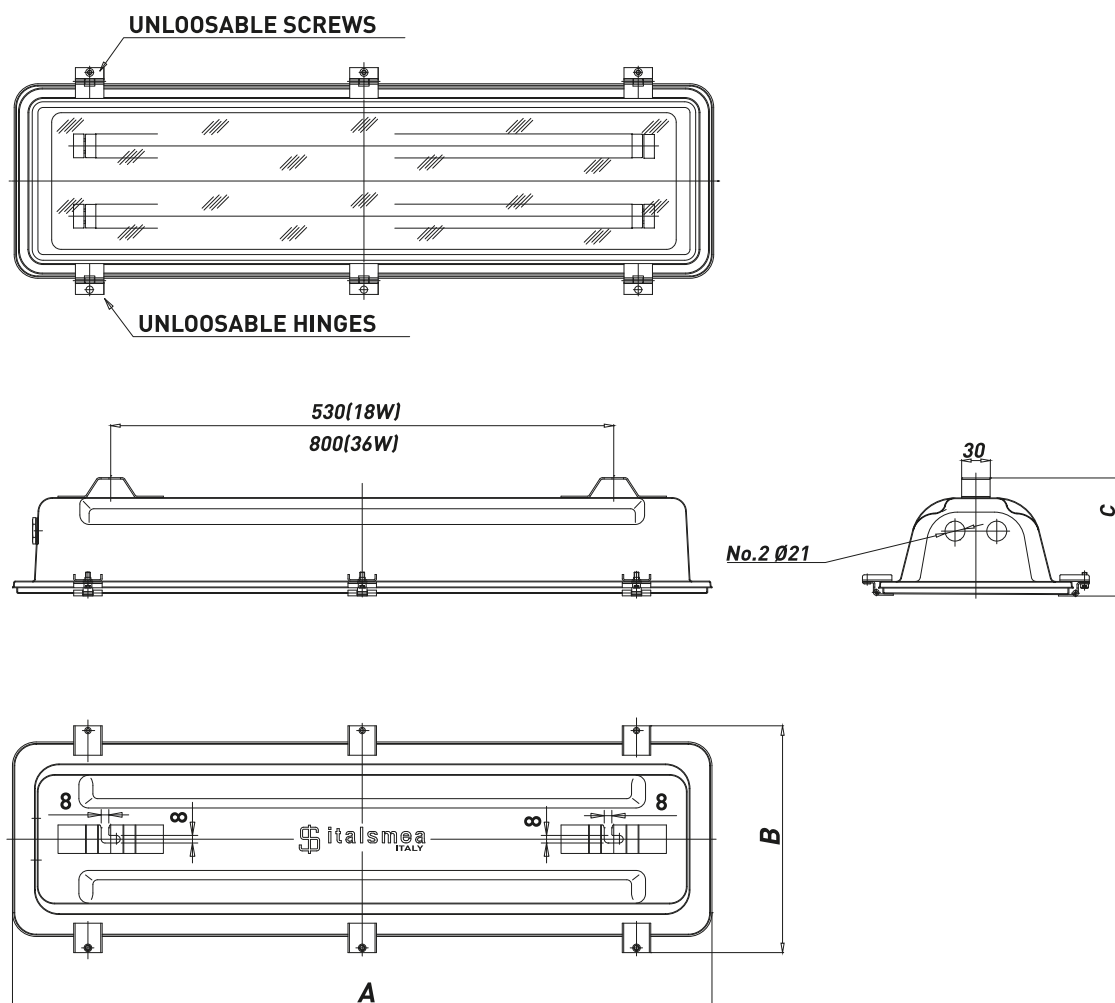
RMS.. series lighting fixtures are ideally suited for ON and OFF-SHORE applications and all kinds of industries where there is an high level of corrosion.

Both body and glass frame are made of stainless steel AISI304 and manufactured from a single sheet of steel with no invasive mounting holes, to minimize the risk of water ingress through the housing. Out of holes for power supply cable, whatever protected by a suitable cable gland (available upon request), there are no passing through holes between inside and outside of luminaire. Therefore during the time there is no risk of IP rating decrease as it would be possible where, for fixing devices, there are through holes and relevant gaskets. Design has been studied to allow operator working with free hands and no need to support any part of lighting fixture. One person can take care of start-up or maintenance without any aid and assistance. Due to inorganic materials like stainless steel and glass, RMS.. series lighting fixtures are 95% recyclable; only components and insulation of single core wires need some more care.

TECHNICAL FEATURES

Material	AISI304 stainless steel, 0,8mm thickness and transparent part in tempered glass (AISI316L version available upon request)
IP rating	IP65 (IP66 on request)
Ambient temperature range	-20°C to +55°C
Approvals	INERIS 01ATEX3002X (standard) TR CU (marking upon request, ordering code to be required)
Marking	II 3 GD Ex nA II T(**) Ex tD A22 IP66 T(**)
Gaskets	Special cross-section tightness gasket, silicon rubber made (closed cell), located in housing channel between body and window frame.
Entries	Body complete of two 21mm Ø through holes (on one side) for cable entry, one complete of metallic plug with M20 locknut and gasket and the other one with temporary plastic plug to prevent dust ingress.
Hardware and screws	AISI304 Stainless steel external hardware and screws
Lamps	RMS series lighting fixtures are suitable for two pins fluorescent lamps G13 socket Philips TL-D or equivalent (lamps excluded)
Ballast	High frequency electronic ballast conforming with EN 60079 – 15 and IEC 60079 – 15
Rated operation voltage (UE)	220-240 V
Frequency	50-60 Hz
Power factor	> 0,95
Accessories available upon request	Pole mounting kit / Ceiling mounting kit / Suspension mounting kit / Wall mounting kit / 3°- 4° through holes opposite side
Operating principles	Available RMS.. lighting fixtures for emergency service of one tube: - 90 minutes; guarantees 60' duration with constant flux (emergency lumen factor 18%) and 30' with decreasing flux
Photometric light curves	

Dimensions RMS-550



(RMS-550) Lighting fixtures for normal service

TYPE	CODE	POWER [W]	TEMPERATURE CLASS	AMBIENT TEMPERATURE	DIMENSIONS [mm]			WEIGHT [kg]
					A	B	C	
RMS-550-03	A0201.211111	1X18	GAS T5 DUST T100°C	(-20°;+50°)**	737	239	123	5.10
RMS-550-04	A0201.211211	2X18	GAS T5 DUST T100°C	(-20°;+50°)**	737	239	123	5.20
RMS-550-01	A0201.211311	1X36	GAS T5 DUST T100°C	(-20°;+50°)**	1347	239	123	8.40
RMS-550-02	A0201.211411	2X36	GAS T5 DUST T100°C	(-20°;+50°)**	1347	239	123	8.60

* In case of maximum ambient temperature reach +55°C, temperature class changes into T4/T105°C (ordering code to be required).

(RMS-550) Lighting fixtures for emergency service

TYPE	CODE	POWER [W]	TEMPERATURE CLASS	AMBIENT TEMPERATURE	EMERGENCY DURATION	DIMENSIONS [mm]			WEIGHT [kg]
						A	B	C	
RMS-550-03 LE-P-90	A0202.213112	1X18	GAS T5 DUST T100°C	(-20°;+50°)**	90'	737	239	123	5.80
RMS-550-04 LE-P-90	A0202.213212	2X18	GAS T5 DUST T100°C	(-20°;+50°)**	90'	737	239	123	5.90
RMS-550-01 LE-P-90	A0202.213312	1X36	GAS T5 DUST T100°C	(-20°;+50°)**	90'***	1347	239	123	9.10
RMS-550-02 LE-P-90	A0202.213412	2X36	GAS T5 DUST T100°C	(-20°;+50°)**	90'***	1347	239	123	9.30

* In case of maximum ambient temperature reach +55°C, temperature class changes into T4/T105°C (ordering code to be required).

** 120' version available upon request (ordering code to be required).

FLUORESCENT LIGHTING

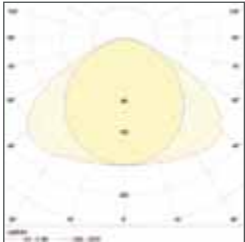
RMS-540.. Series - Fluorescent lighting fixtures



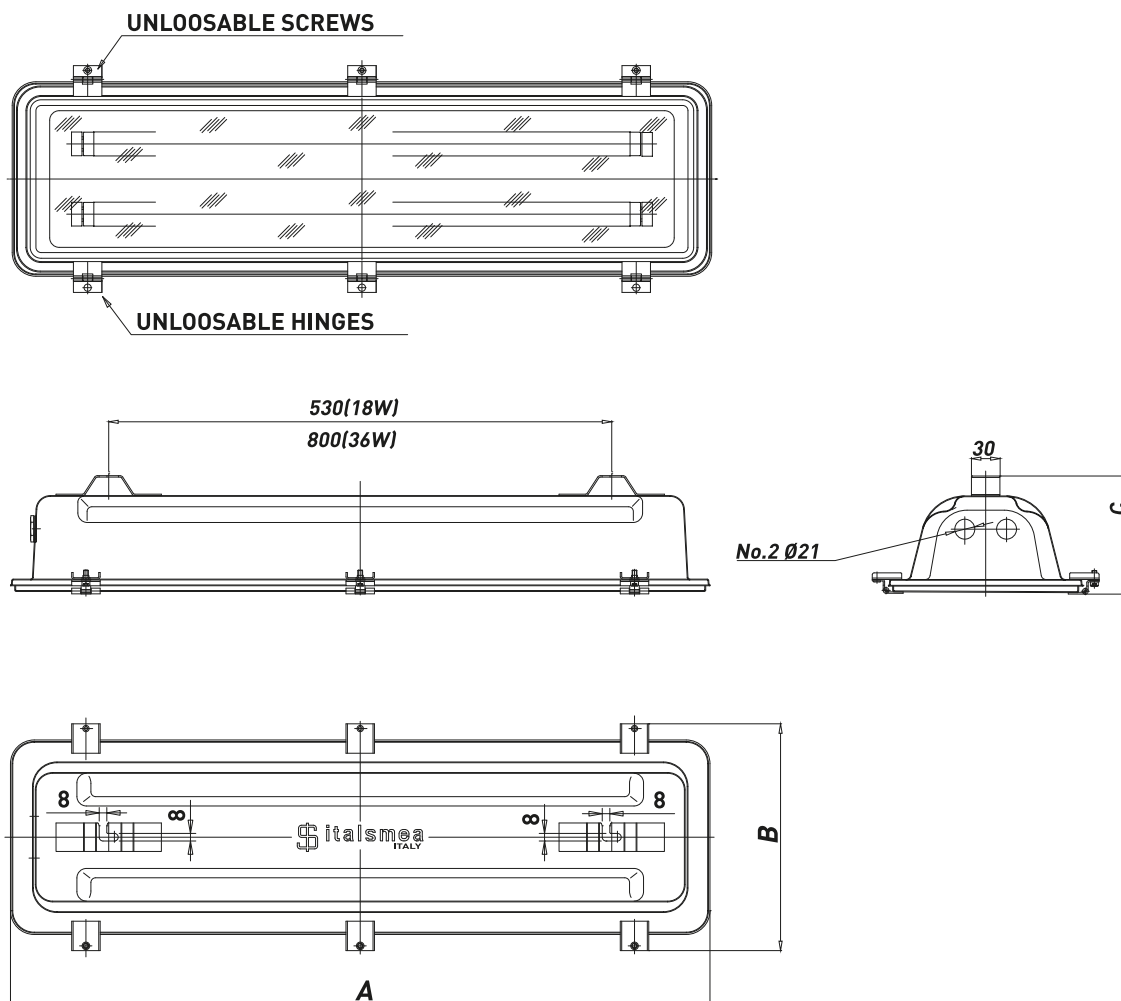
RMS.. series lighting fixtures are ideally suited for ON and OFF-SHORE applications and all kinds of industries where there is an high level of corrosion.

Both body and glass frame are made of stainless steel AISI304 and manufactured from a single sheet of steel with no invasive mounting holes, to minimize the risk of water ingress through the housing. Out of holes for power supply cable, whatever protected by a suitable cable gland (available upon request), there are no passing through holes between inside and outside of luminaire. Therefore during the time there is no risk of IP rating decrease as it would be possible where, for fixing devices, there are through holes and relevant gaskets. Design has been studied to allow operator working with free hands and no need to support any part of lighting fixture. One person can take care of start-up or maintenance without any aid and assistance. Due to inorganic materials like stainless steel and glass, RMS.. series lighting fixtures are 95% recyclable; only components and insulation of single core wires need some more care.

TECHNICAL FEATURES

Material	AISI304 stainless steel, 0,8mm thickness and transparent part in tempered glass (AISI316L version available upon request)
IP rating	IP66
Ambient temperature range	-20°C to +60°C
Standards	Compliance with Electromagnetic Compatibility (EMC) according to European Directive 2004/108/CE
Gaskets	Special cross-section tightness gasket, silicon rubber made (closed cell), located in housing channel between body and window frame.
Entries	Body complete of two 21mm Ø through holes (on one side) for cable entry, one complete of metallic plug with M20 locknut and gasket and the other one with temporary plastic plug to prevent dust ingress.
Hardware and screws	AISI304 Stainless steel external hardware and screws
Lamps	RMS series lighting fixtures are suitable for two pins fluorescent lamps G13 socket Philips TL-D or equivalent (lamps excluded)
Ballast	Electromechanical ballast with starter and capacitor
Rated operation voltage (UE)	230 V
Frequency	50 Hz
Power factor	> 0,9
Accessories available upon request	Wiring with High frequency electronic ballast (220-240 V 50-60 Hz) / Pole mounting kit / Ceiling mounting kit / Suspension mounting kit / Wall mounting kit / 3°- 4° through holes opposite side
Operating principles	Available RMS.. lighting fixtures for emergency service of one tube: - 90 minutes; guarantees 60' duration with constant flux (emergency lumen factor 18%) and 30' with decreasing flux
Photometric light curves	

Dimensions RMS 540



(RMS-540) Lighting fixtures for normal service

TYPE	CODE	POWER [W]	DIMENSIONS [mm]			WEIGHT [kg]
			A	B	C	
RMS-540-03	A0201.111112	1X18	737	239	123	5.10
RMS-540-04	A0201.111212	2X18	737	239	123	5.20
RMS-540-01	A0201.111312	1X36	1347	239	123	8.40
RMS-540-02	A0201.111412	2X36	1347	239	123	8.60

(RMS-540) Lighting fixtures for emergency service

TYPE	CODE	POWER [W]	AMBIENT TEMPERATURE	EMERGENCY DURATION	DIMENSIONS [mm]			WEIGHT [kg]
					A	B	C	
RMS-540-03 LE-P-90	A0202.113112	1X18	[-20°;+60°]	737	239	123	5.80	5.80
RMS-540-04 LE-P-90	A0202.113212	1X18	[-20°;+60°]	737	239	123	5.90	5.90
RMS-540-01 LE-P-90	A0202.113312	1X36	[-20°;+60°]	1347	239	123	9.10	9.10
RMS-540-02 LE-P-90	A0202.113412	2X36	[-20°;+60°]	1347	239	123	9.30	9.30

FLUORESCENT LIGHTING

G2X Fluo

Luminaires G2X are suited for hazardous areas of industrial plants and space included in Zone 2 and 22.

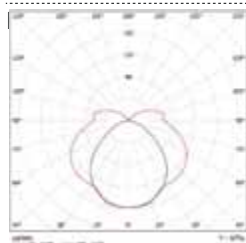


The advantages of this luminaires series:

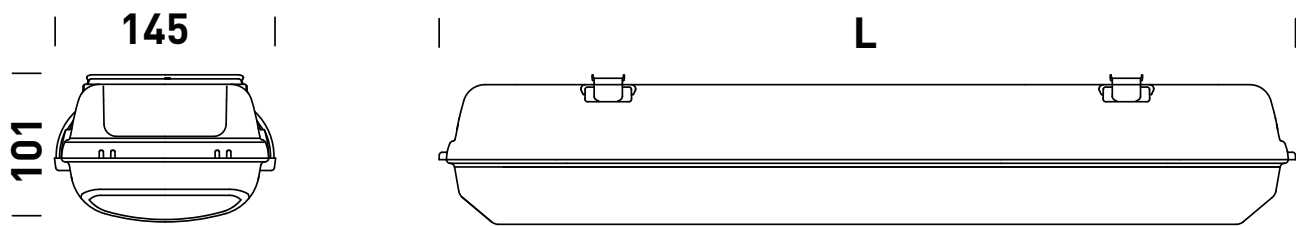
- Solid & compact structure
- Simple , easy and quick installation
- Possibility to suspend the lens hinge when replacing fluorescent lamps
- High resistance to corrosive industrial environment
- High luminous efficiency
- Quality ignition systems
- UV resistant
- Easy maintenance
- Transparent diffuser in PC with UV protection.

TECHNICAL FEATURES

Material	GRP + 2 gear tray holders in white lacquered steel plate Transparent diffuser in PC with UV protection and high impact resistance
IP rating	IP66
Ambient temperature range	-20°C to +40°C
Approvals	OBAC 13 CZ/ATEX 0163
Marking	II 3 G Ex nA IIC T6 Gc II 3 D Ex tc IIIC T85°C Dc IP66
Standards	EN 60079-0, EN 60079-15, EN 60079-31
Zones	Zone 2 , 22
Gaskets	Gasket in polyurethane (to obtain IP66 rating)
Entries	N° 2 entries M20 on each side
Hardware and screws	Fixing springs and closing clips in stainless steel
Lamps	T8 lamps , with power 18W , 36W, 58W T5, with a power 14W, 24W,28W, 35W, 49W,54W,80W
Ballast	Electronic
Rated operation voltage (UE)	230 V AC/DC 50-60(0)Hz, 110V (by performances)
Frequency	50-60 Hz
Standard accessories	Polyamide ATEX cable gland M20x1,5 or M25x1,5 IP66
Maximum number of terminals	3x2,5mm ²
Colour	GRP housing in graphite black (RAL 9011) , gray (RAL 7035) , yellow (RAL 1003)
Options	Emergency kit 1h or 3h
Note	



Dimensions G2X FLUO



G2X Fluo

COD	ORDERING	DIMENSIONS	POWER [W]	WEIGHT [KG]	POWER SUPPLY
A1101.100002	G2X 2-118 E PC INOX	665X145X101	1 X 18	3,3	Electronic 230V AC/DC
A1101.100001	G2X 2-136 E PC INOX	1282X145X101	1 X 36	3,8	
A1101.100004	G2X 2-158 E PC INOX	1578X145X101	1 X 58	5	
A1101.100003	G2X 218 E PC INOX	665X145X101	2 X 18	3,3	
A1101.100000	G2X 236 E PC INOX	1282X145X101	2 X 36	3,8	
A1101.100005	G2X 258 E PC INOX	1578X145X101	2 X 58	5	
A1102.000000	G2X 236 E EB1H PC INOX	1578X145X101	2 X 36	4,385	
A1102.000003	G2X 236 E EB3H PC INOX	1578X145X101	2 X 36	4,385	
A1102.000001	G2X 258 E EB1H PC INOX	1578X145X101	2 X 58	4,385	
A1102.000004	G2X 258 E EB3H PC INOX	1578X145X101	2 X 58	4,385	

FLUORESCENT LIGHTING

GRL Series - Fluorescent lighting fixtures

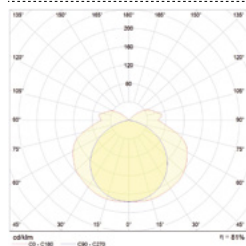


GRL – Glassfiber Reinforced Lighting series for fluorescent bi-pin tubes are normally used in hazardous areas of industrial plants, chemical and petrochemical ones in particular.

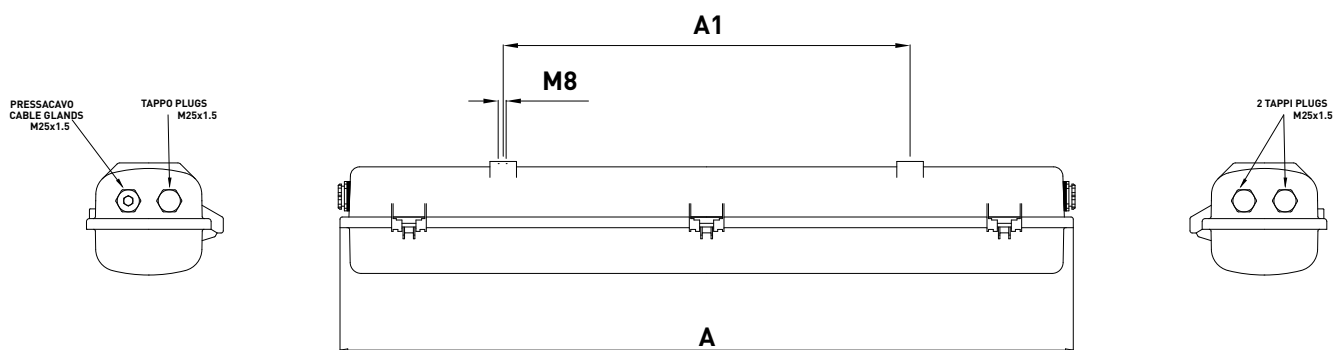
- Resistance to salt water corrosion
- Low costs maintenance
- Bright lighting
- Ideal to illuminate homogeneously settings

TECHNICAL FEATURES

Material	Body in antistatic GRP (glass reinforced polyester) black colour. VØ (UL94) guaranteed self-extinguishing and UV resistant transparent polycarbonate cup. Internal frame in extruded aluminum. White internal reflector in PVC coated aluminum.
IP rating	IP66
Ambient temperature range	-20°C to +55°C (battery in separate housing) -40°C to +55°C (normal operation) -20°C to +50°C (emergency operation)
Approvals	CESI 15ATEX015 IECEX CES 15.0007
Marking	Ex de IIC T4 Gb Ex de mb IIC T4 Gb Ex tb IIC T70°C/T80°C Db IP66
Gaskets	Silicon rubber
Entries	Body complete of four M25x1,5 Ø through holes (two on both sides) for cable entry, three complete of metallic M25 plugs and the other one with resin cable gland M25X1,5
Hardware and screws	Screws and accessories in stainless steel AISI 316L
Lamps	1 or 2 fluorescent tubes T8 with G13 socket
Ballast	Electronic
Rated operation voltage (UE)	110 - 240 V
Frequency	50/60 Hz
Power factor	>0,96
Accessories available upon request	Lamp Installation kit (pole, ceiling and suspension mountings)
Operating principles	Available GRL lighting fixture for emergency with one tube: -90 minutes with a luminous flux of about 250 lm (18W) -120 minutes with a luminous flux of about 800 lm (36W-High Flux)



Dimensions GRL



GRL Series - Fluorescent lighting fixtures for emergency service

TYPE	CODE	POWER [W]	EMERGENCY DURATION	DIMENSIONS [mm]				WEIGHT [kg]
				A	A1	B	C	
GRL-118 LE-P90	A 1002.000005	1X18	90'	785	420	185	155	6,80
GRL-218 LE-P90	A 1002.000006	2X18	90'	785	420	185	155	7,00
GRL-136 LE-P90	A 1002.000007	1X36	90'	1370	720	185	155	10,00
GRL-236 LE-P90	A 1002.000008	2X36	90'	1370	720	185	155	10,20
GRL-118 LE-P120	A 1002.000001	1X18	120'	785	420	185	155	6,80
GRL-218 LE-P120	A 1002.000002	2X18	120'	785	420	185	155	7,00
GRL-136 LE-P120	A 1002.000003	1X36	120'	1370	720	185	155	10,00
GRL-236 LE-P120	A 1002.000004	2X36	120'	1370	720	185	155	10,20

GRL Series - Fluorescent lighting fixtures for normal service

TYPE	CODE	POWER [W]	DIMENSIONS [mm]				WEIGHT [kg]
			A	A1	B	C	
GRL-118	A 1001.000001	1X18	785	420	185	155	5,30
GRL-218	A 1001.000002	2X18	785	420	185	155	5,30
GRL-136	A 1001.000003	1X36	1370	720	185	155	7,90
GRL-236	A 1001.000004	2X36	1370	720	185	155	7,90

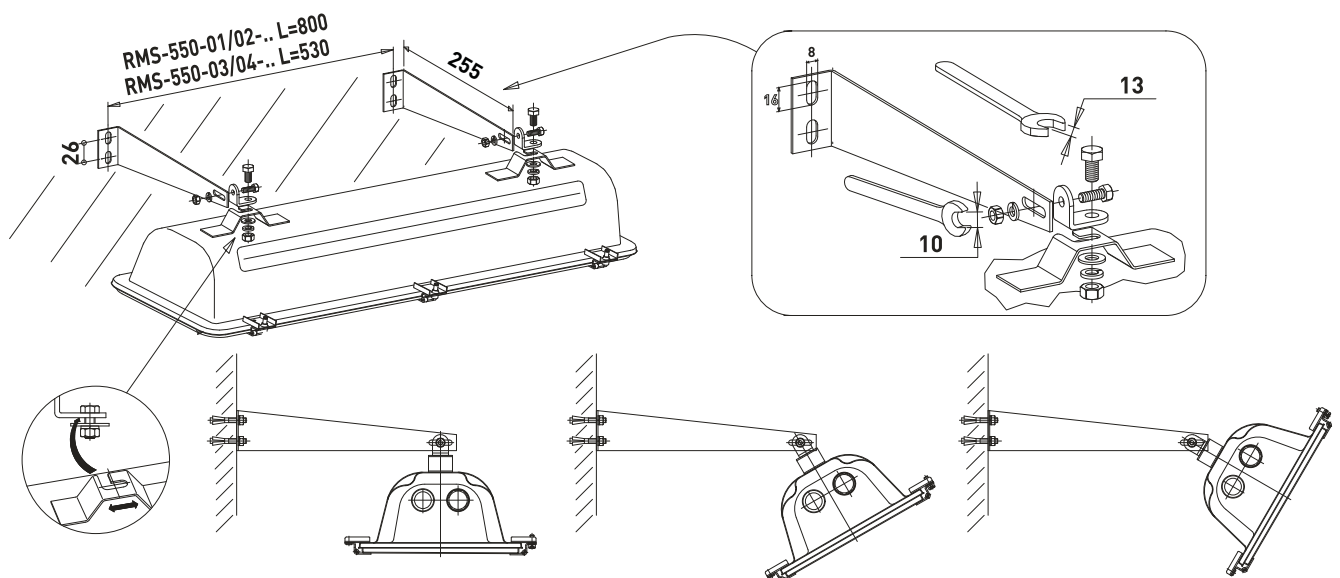
FLUORESCENT LIGHTING

RMS 560 Series / RMS 550 Series / RMS 540 Series

SPARES & ACCESSORIES

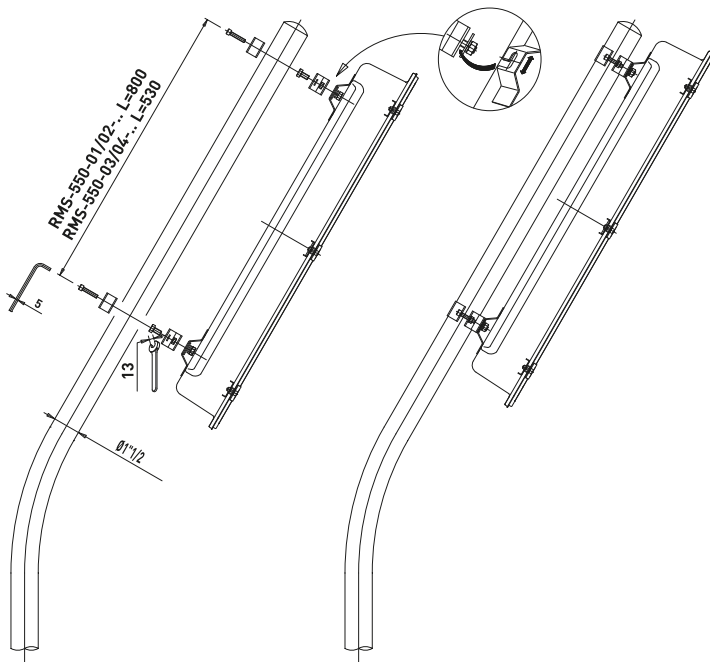
CODE	TYPE	FIXTURE
A0A02.053070	H1 - AISI304 WALL MOUNTING KIT FOR RMS-540-550-560	RMS-540/550/560
A0A02.053071	P12 - 1" 1/2 AISI304 POLE MOUNTING KIT FOR RMS-540-550-560	RMS-540/550/560
A0A02.053075	G1 - AISI304 SUSPENSION MOUNTING KIT FOR RMS-540-550-560	RMS-540/550/560
A0A02.053076	H3 - AISI304 WALL MOUNTING KIT FOR RMS-560 EMERGENCY 18W	RMS-560 LE-P 18W
A0A02.053074	P13 - 1" 1/2 AISI304 POLE MOUNTING KIT FOR RMS-560 EMERGENCY 18W	RMS-560 LE-P 18W
A0A02.053072	G2 - AISI304 SUSPENSION MOUNTING KIT FOR RMS-560 EMERGENCY 18W	RMS-560 LE-P 18W

H1 - Wall mounting kit

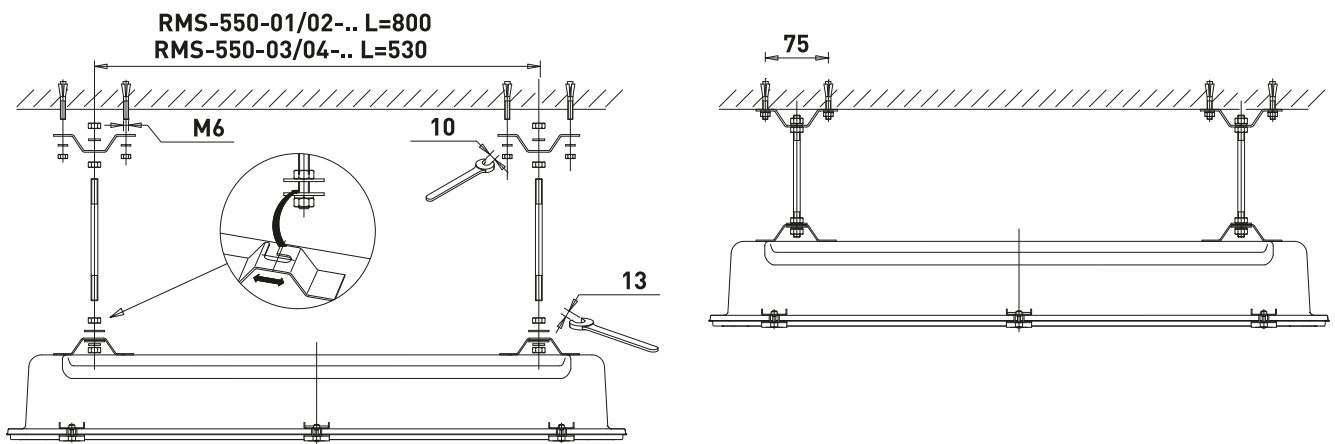


Note: Expansion bolts (for concrete) or bolts (for steel frame) are not included in our kit.

P12 - Pole mounting kit

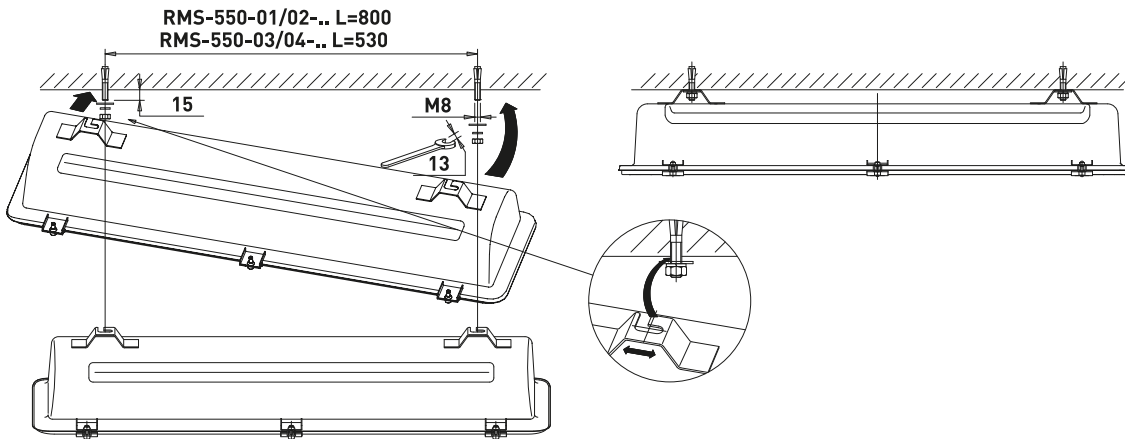


G1 - Suspension mounting kit



Note: Expansion bolts (for concrete) or bolts (for steel frame) are not included in our kit.

Ceiling mounting (STANDARD VERSION)



Note: Expansion bolts (for concrete) or bolts (for steel frame) are not included in our kit.