

WELLGLASS

EV.. Series portable

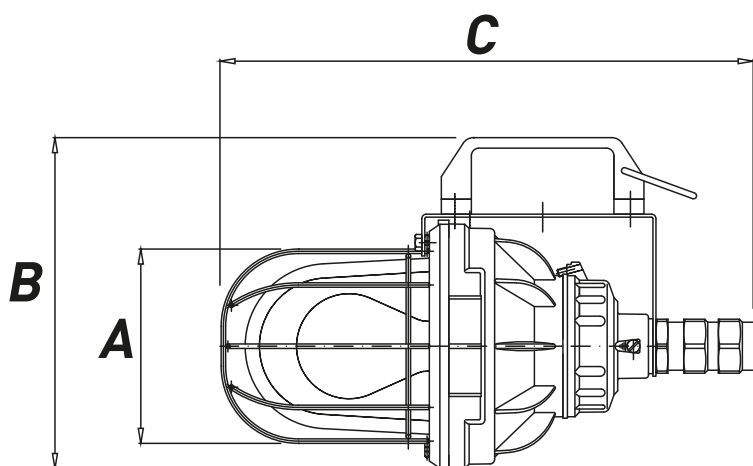


Portable lights with insulated handle and protection guard made of aluminium with low content of copper.

TECHNICAL FEATURES

Material	Aluminium with low content of copper
IP rating	IP66
Ambient temperature range	-52°C to +60°C
Approvals	INERIS 01ATEX0019X (standard) TR CU (marking upon request, ordering code to be required)
Marking	II 2 GD Ex d IIC T(**) Gb Ex tb IIIC T(**) Db IP66 ** T4/135°C, T3/200°C
Gaskets	O-ring made of Nitrile Rubber (NBR)
Surface treatment	Green colour polyurethane painting cycle RAL6003 (other colour available upon request)
Entries	N° 1 entry M25x1,5 complete with brass nickel chrome plated cable gland PAP type
Hardware and screws	AISI304 Stainless steel external hardware and screws
Lamps	Included
Rated operation voltage (UE)	230V (standard) 220V, 240V (marking upon request)
Frequency	50/60 Hz
Accessories included	Protection guard Brass nickel chrome plated cable gland PAP type complete with set of inner and outer seals

Dimensions EVA

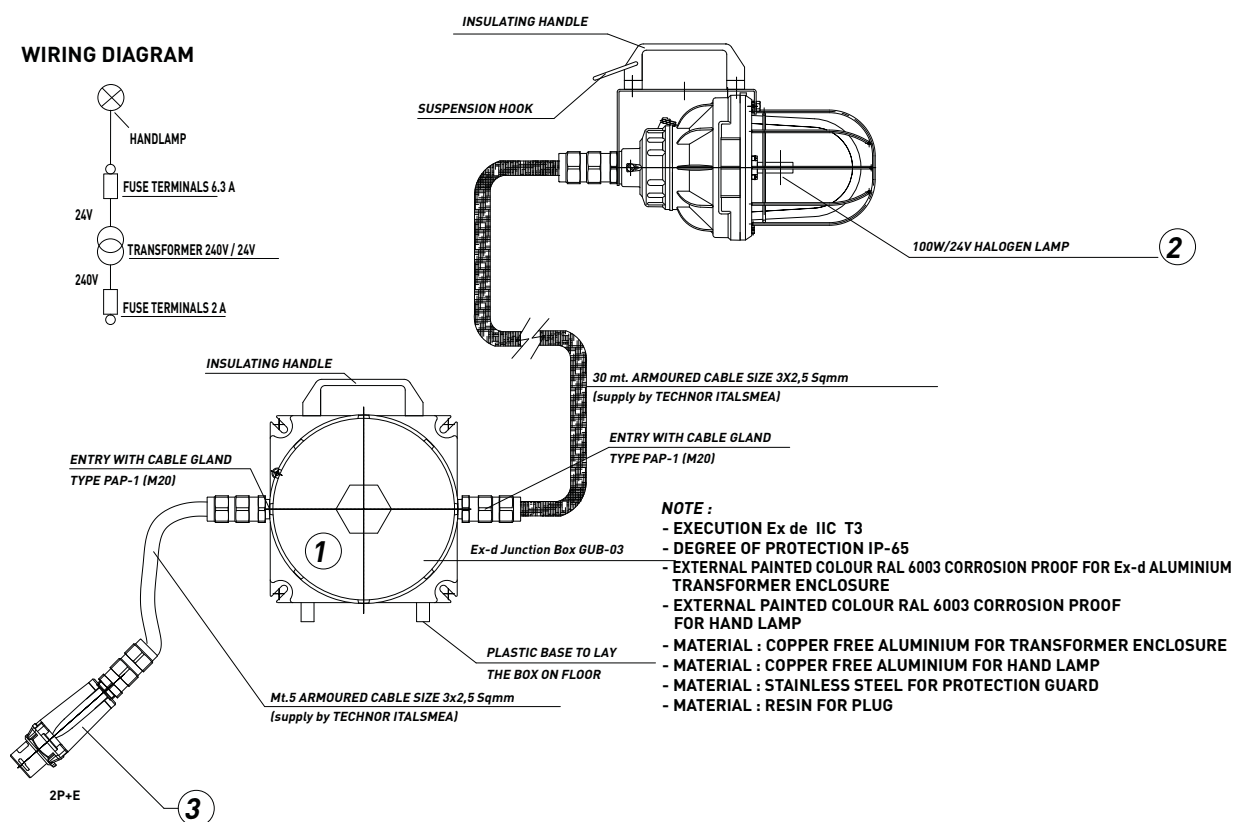


EV.. Portable lights

TYPE	CODE	LAMP [W]	LAMP TYPE	TEMP. CLASS	VOLTAGE	DIMENSIONS [mm]			AMBIENT TEMPERATURE
						A	B	C	
EVA-1/HA 42 (EVP-60)	A0406.121001	42	HALOGEN	T3*	230V 50/60HZ	212	123	318	(-52°;+60°)
EVA-2/HA 70 (EVP-100)	A0406.122001	70	HALOGEN	T3*	230V 50/60HZ	220	130	355	(-52°;+60°)

* In case of maximum ambient temperature reach +40°C, temperature class changes into T4 (ordering code to be required)

Dimensions EVA



EVA.. Hand lights with portable transformer unit

TYPE	ASSEMBLY CODE	LAMP [W]	LAMP TYPE	TEMP.	VOLTAGE	AMBIENT TEMPERATURE
EVA-2 /HA 100 WITH GUB -03 TRANSFORMER BOX , PLUS CABLE AND FPR... PLUG	A0406.123004	100	HALOGEN	T3	240VAC	(-40°C TO +60°C)

LED LIGHTING

LED EV.. Series portable

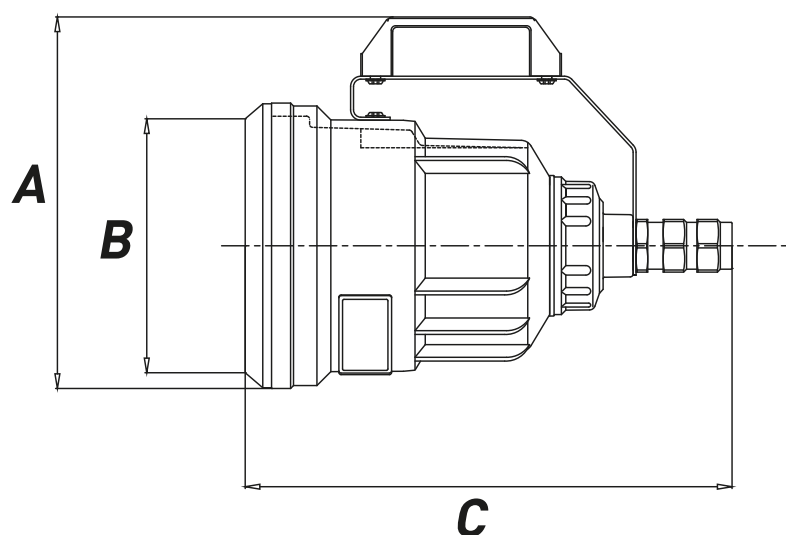


Portable lights with insulated handle and protection guard made of aluminium with low content of copper, LED version.

TECHNICAL FEATURES

Material	Aluminium with low content of copper
IP rating	IP66
Ambient temperature range	-52°C to +60°C
Approvals	INERIS 01ATEX0019X (standard) TR CU (marking upon request, ordering code to be required)
Marking	II 2 GD Ex d IIC T(**) Gb Ex tb IIIC T(**) Db IP66 ** T5/T100°C, T4/T135°C
Gaskets	O-ring made of Nitrile Rubber (NBR)
Surface treatment	Green colour polyurethane painting cycle RAL6003 (other colour available upon request)
Entries	N° 1 entry M25x1,5 complete with brass nickel chrome plated cable gland PAP type
Hardware and screws	AISI304 Stainless steel external hardware and screws
Lamps	Included
Rated operation voltage (UE)	115/240V, 24Vdc
Frequency	50/60 Hz
Accessories	Brass nickel chrome plated cable gland PAP type complete with set of inner and outer seals

Dimensions LED EVA



LED EV.. Portable lights

TYPE	CODE	LAMP [W]	TEMP. CLASS	VOLTAGE	DIMENSIONS [mm]			AMBIENT TEMPERATURE
					A	B	C	
EVA-3/18 LED (EVP-18)	A0404.131001	18	T4**	115/240V 50/60HZ	254	173	333	(-52°;+60°)
EVA-3/18 LED (EVP-18)	A0404.131101	18	T4**	24VDC	254	173	333	(-52°;+60°)

** In case of maximum ambient temperature reach +40°C, temperature class changes into T5 (ordering code to be required)